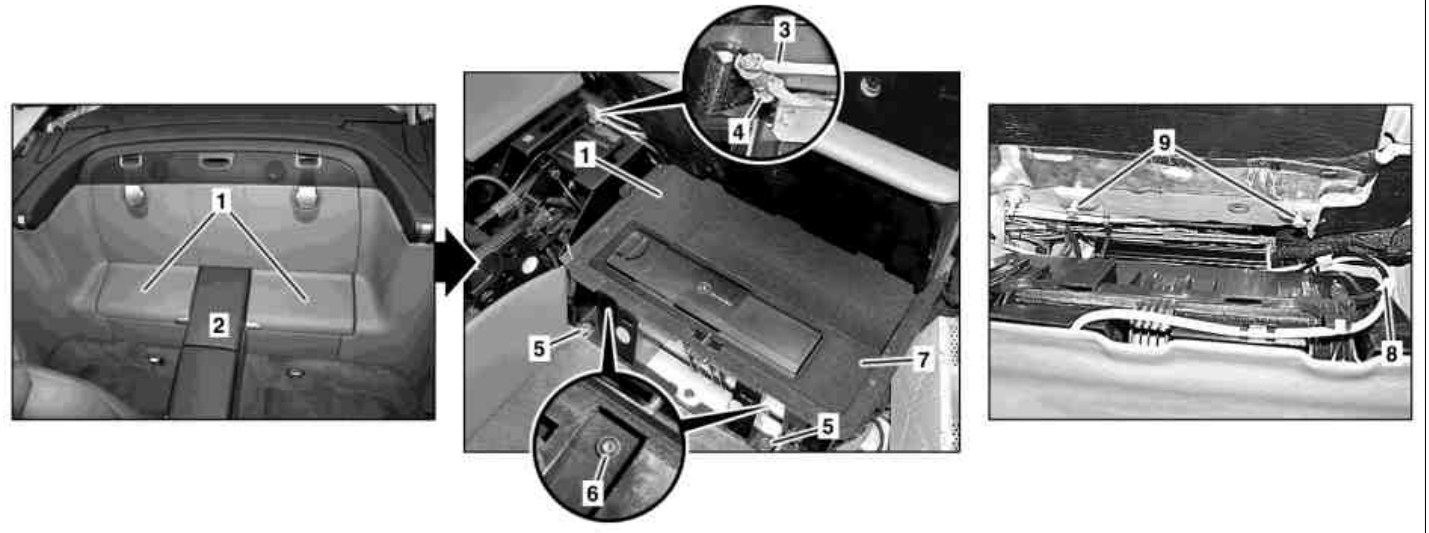





MODEL 230.4 as of 15.1.04 except CODE (P99) Special model "AMG Black Series"



P68.30-3118-08

Shown on vehicle with code (819) CD changer

- | | | | | | |
|---|-------------|---|------------------------------------|---|------------------------------------|
| 1 | Luggage box | 4 | Vacuum connector | 7 | Bezel (with code (819) CD changer) |
| 2 | Cover | 5 | Screw | 8 | Wiring harness |
| 3 | Vacuum line | 6 | Screw (with code (819) CD changer) | 9 | Pin |

 	Remove/install		
1	Remove rear wall paneling		AR68.30-P-4750R
2	Remove cover (2)		AR68.20-P-2320R
3	Disconnect vacuum line (3) on luggage box (1) from vacuum connector (4)		
4	Unscrew bolts (5) at luggage box (1)		
5	Unscrew bolts (6) on left luggage box (1) and remove cover (7).	On vehicles with code (819) CD-changer	
6	Remove luggage box (1) upward until wiring harness connector (8) is accessible.	 Installation: Ensure that luggage box (1) is seated correctly above bolts (9).	
7	Disconnect wiring harness (8) from connector		
8	Take out luggage box (1)		
9	Remove luggage box (1) lid in rear	When replacing luggage box (1).	AR68.30-P-7440-01R
10	Remove cap for mounting CD player with changer in luggage box (1)	When replacing left luggage box (1) on vehicles with code (819) CD changer.	
11	Install in the reverse order		