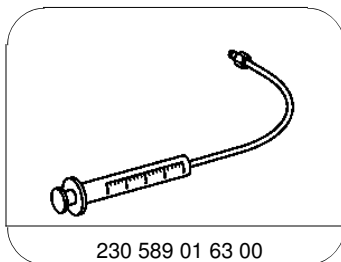


Nm Hydraulic convertible top

Number	Designation	Model
		230 up to vehicle ident. no. 112116
BA77.37-P-1005-01A	Filler screw on hydraulic unit	Nm 8.0

Soft top hydraulic system

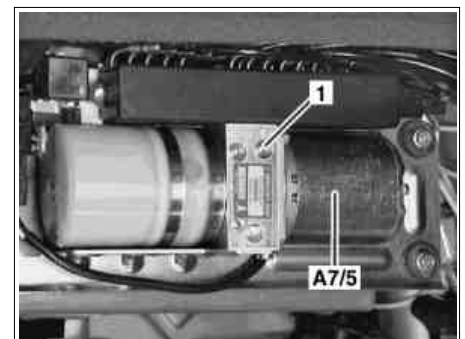
Number	Designation	Model
		230 up to vehicle ident. no.112116
BF77.37-P-1001-01A	Filling capacity Soft top hydraulic system oil reservoir	Liters 0.132
	Specifications for Operating Fluids	Sheet BB00.40-P-0343-00 A





230 589 01 63 00

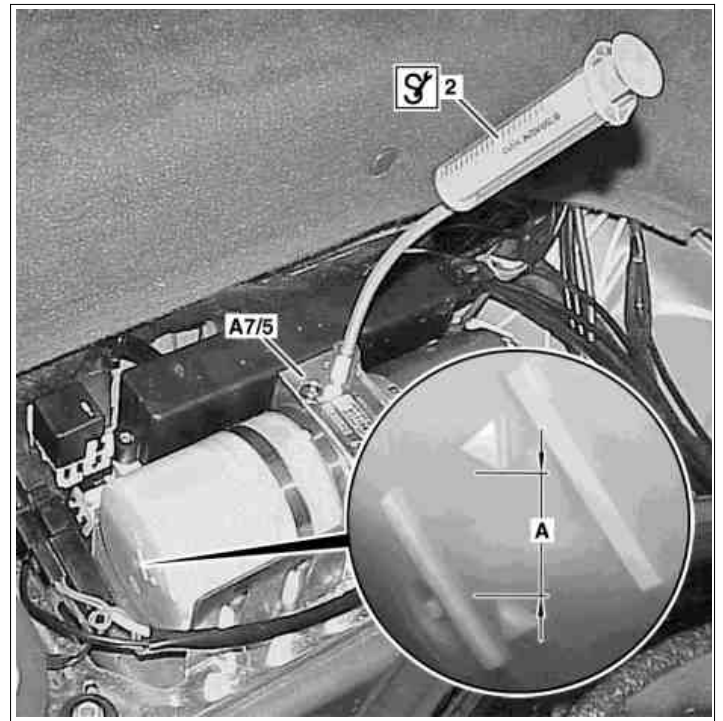
Filler syringe

- 1 Unscrew oil filler screw (1) on RVC [UVS] hydraulic unit (A7/5).



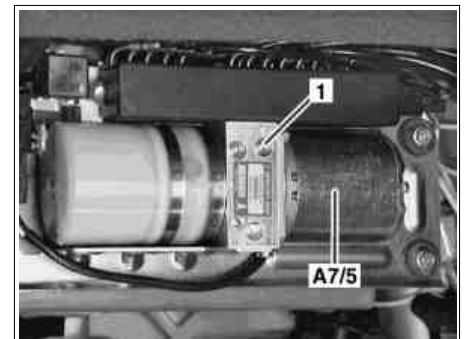
P77.37-2070-01

- 2  Screw filler syringe (2) into RVC [UVS] hydraulic unit (A7/5)
- 3 Add hydraulic oil.
 The oil level (A) must be between the two triangular oil level markings on the oil reservoir of the RVC [UVS] hydraulic unit (A7/5).



P77.37-2068-12

- 4 Screw oil filler screw (1) into RVC [UVS] hydraulic unit (A7/5).



P77.37-2070-01