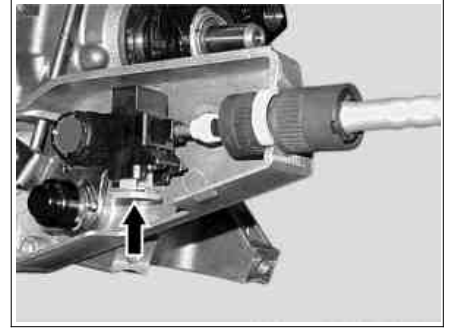




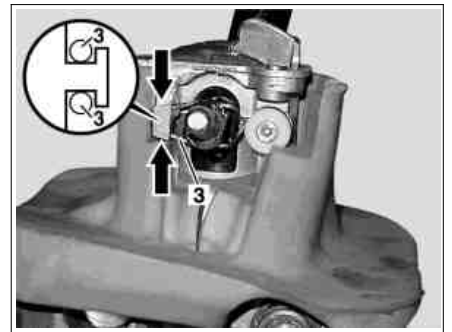
- 1 Press in detent (arrow).
- 2 Move shift lever used to secure basic position in transverse direction.



P26.60-2039-01

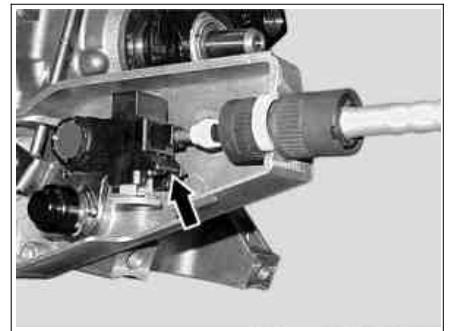


Ensure that the retracting spring (3) lies on the bearing bracket (arrow).



P26.60-2040-01

- 3 Press release button (arrow).



P26.60-2042-01