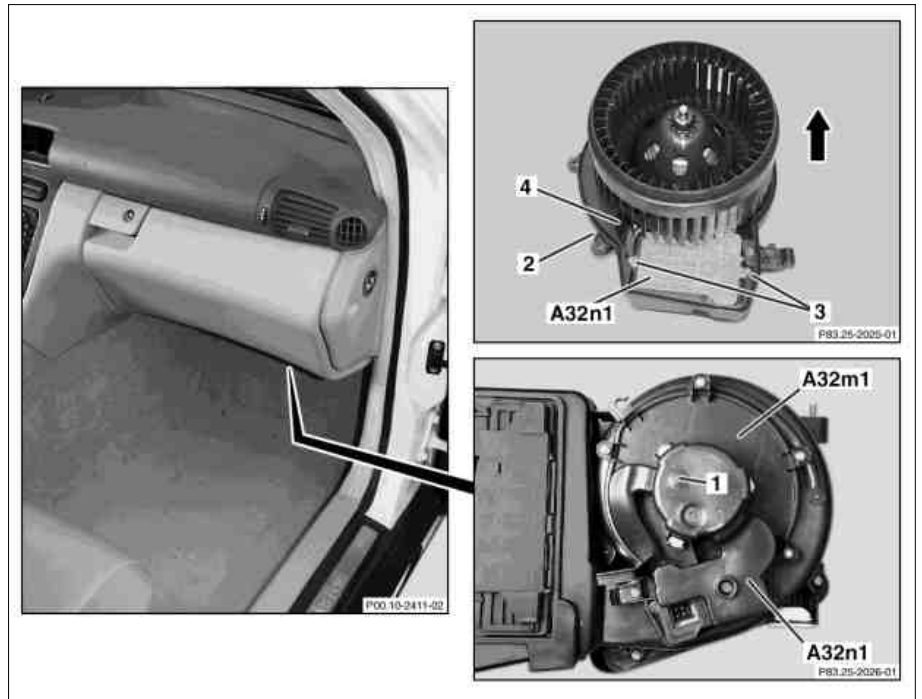


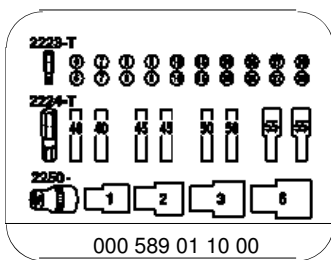
Shown in model 203.0

- 1 Plug
- 2 Housing
- 3 Bolts
- 4 Connector at blower motor (A32m1)
- A32m1 Blower motor
- A32n1 Electronic blower control unit



P83.25-2027-06

	Removing, installing		
1	Remove blower motor (A32m1)	Do not lay blower motor (A32m1) on the fan wheel.	AR83.25-P-1200P
2	Extract plug (1)		
3	Unscrew bolt beneath plug (1)		
4	Pull blower motor (A32m1) from housing (2) in direction of arrow		
5	Unscrew bolts (3)	Torx bit set	*000589011000
6	Remove electronic blower control unit (A32n1)		
7	Remove coupling (4) from blower motor (A32m1)		
8	Install in the reverse order		



Torx bit set