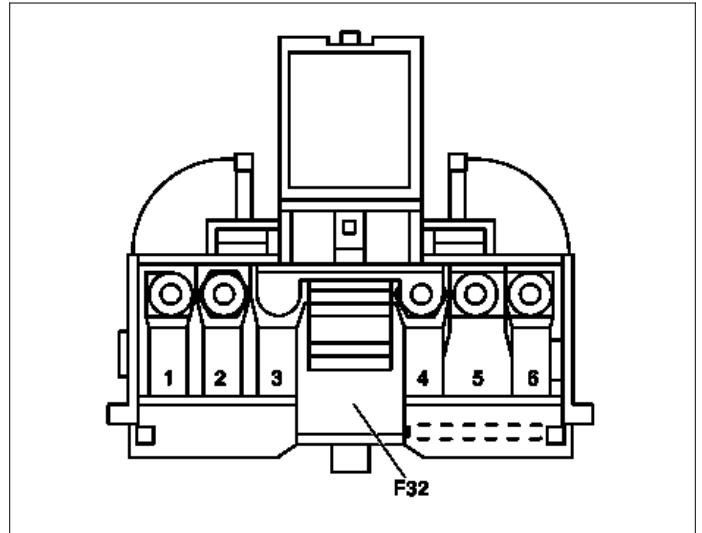


1 to 6 Socket

F32 Front prefuse box



P54.15-2552-11

Socket	Fuse	Fused line	Fused function	Rating in amperes (A)
1	F32f1	RD 10.0 mm ²	<ul style="list-style-type: none"> ● Interior fuse box (F34) 	125
2	F32f2	RD 16.0 mm ²	<ul style="list-style-type: none"> ● Rear SAM control unit with fuse and relay module (N10/2) 	200
3	F32f3	RD 10.0 mm ²	Valid for code (970) Police emergency vehicle: <ul style="list-style-type: none"> ● Additional fuse holder I, spare wheel well (F7) 	125
4	F32f4	RD 16.0 mm ²	<ul style="list-style-type: none"> ● Front SAM control unit with fuse and relay module (N10/1) 	200
5	F32f5	RD 10.0 mm ²	<ul style="list-style-type: none"> ● Engine and AC electric suction fan with integrated control (M4/7) Valid for diesel engines: <ul style="list-style-type: none"> ● Glow output stage (N14/2) 	125
6	F32f6	RD 6.0 mm ²	<ul style="list-style-type: none"> ● Front SAM control unit with fuse and relay module (N10/1) 	60