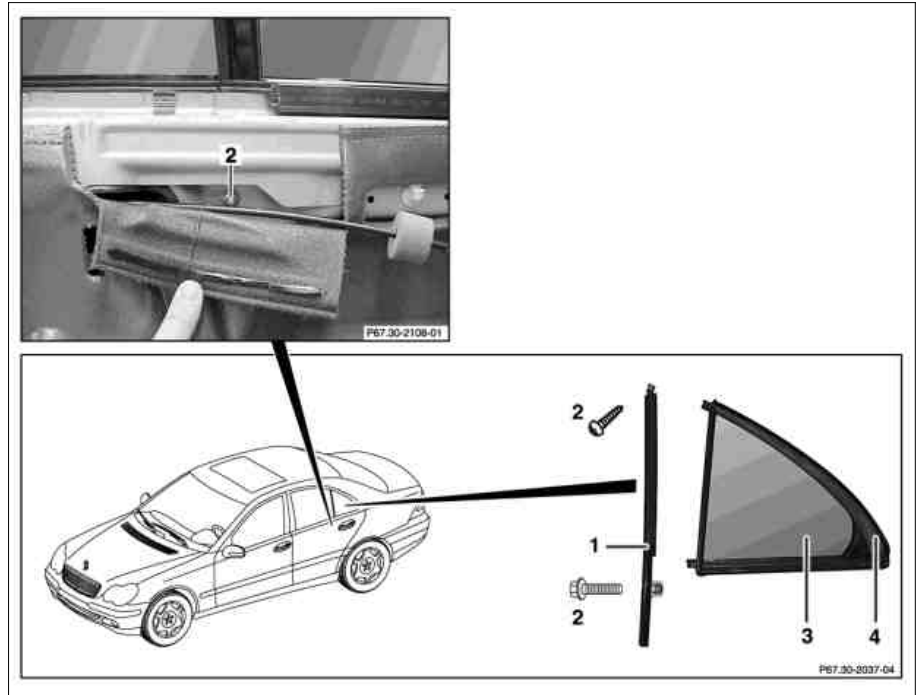





MODEL 203.0 /2

Shown in model 203.0

- 1 Window web
- 2 Bolts
- 3 Fixed window
- 4 Rubber surround



P67.30-2107-06

|  | Remove/Install   |   |                     |
|--|--|---|---------------------|
| <b>⚠ Danger!</b>   | <b>Risk of injury to fingers being jammed or squeezed</b> when removing and installing or aligning hoods, doors, trunk lid/tailgate or sliding roof. | When moving components, ensure that no body parts or limbs are within the operating range of moving parts.          | AS00.00-Z-0011-01A  |
| 1  | Open window  |   |                     |
| 2  | Remove inner sealing rail  |   | AR72.10-P-1600P     |
| 3  | Remove outer sealing rail  |   | AR72.10-P-1700P     |
| 4  | Loosen door foil in area of window web (1)   |   |                     |
| 5  | Take out window runner   |  Only in area of window web (1). |                     |
| 6  | Unscrew bolt (2)   |   |                     |
| 7  | Take out window web (1)  |   |                     |
| 8  | Pull fixed window (3) forward together with rubber surround (4)  |  Installation: Use lubricant.    | *BR00.45-Z-1010-06A |
| 9  | Install in the reverse order   |   |                     |

**Repair materials**

| Number             | Designation                    | Order number    |
|--------------------|--------------------------------|-----------------|
| BR00.45-Z-1010-06A | Lubricant, rubber assembly 1 l | A 000 989 03 67 |