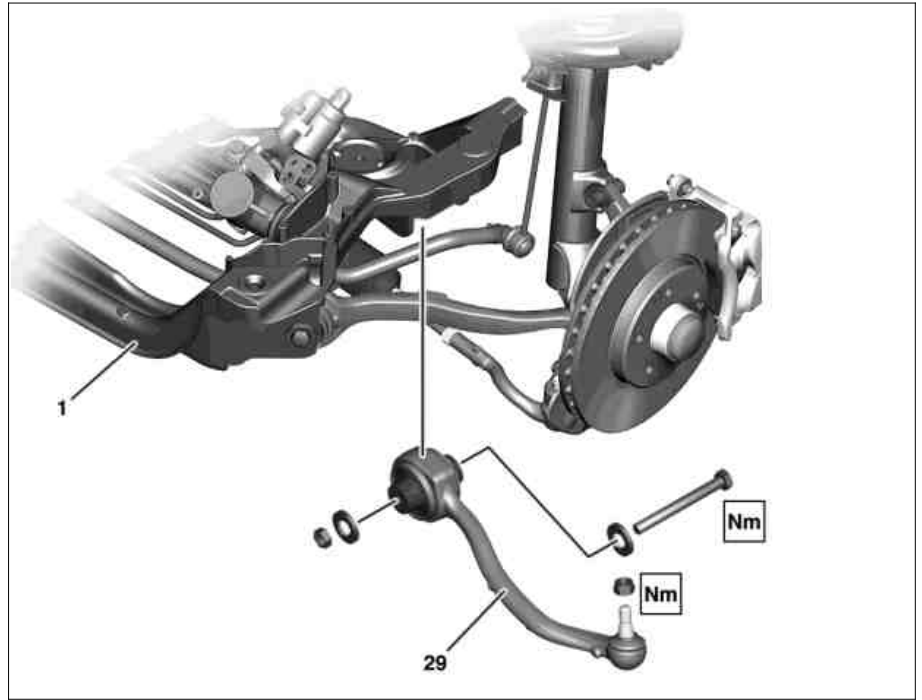


MODEL 203 (except 203.081 /084 /087 /092 /281 /284 /287 /292)

MODEL 209



P33.20-2030-06

## Modification notes

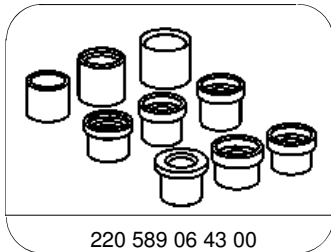
2.5.07	Self-locking nut, cross strut to front axle carrier,		*BA33.20-P-1006-01E
2.5.07	Self-locking nut, cross strut to steering knuckle, 1st stage	Model 203 except model 203.081/084/087/092/281/284/287/292	*BA33.20-P-1005-01E

	<b>Remove/install</b>		
<b>Danger!</b>	<b>Risk of death</b> caused by vehicle slipping or toppling off of the lifting platform.	Align vehicle between columns of vehicle lift and position four support plates at vehicle lift support points specified by vehicle manufacturer.	AS00.00-Z-0010-01A
	Notes on self-locking nuts and bolts		AH00.00-N-0001-01A
1	Raise vehicle		AR00.60-P-1000P
2	Remove front wheel Remove/install wheels, rotate if necessary		AP40.10-P-4050Z
3	Detach cross strut (29) from steering knuckle	Use a suitable drift punch to drive the ball pin from the steering knuckle assembly. 	*BA33.20-P-1005-01E
4	Unscrew the bolt of the cross strut (29) at the front axle carrier (1)		*BA33.20-P-1006-01E
5	Remove transverse link (29).	Loosen cross strut (29) from the front axle carrier (1) using an assembly lever.	
	<b>Checking</b>		
6	Inspect transverse link (29) for visible signs of damage or deformation.	Measure the cross strut (29) on vehicles which have been involved in an accident.	
7	Check rubber bushing in transverse link (29).	If damage is present: Model 209 without code P98 Black Series, model 203: ↓ Replace faulty rubber mount. Extraction and insertion tool Model 209 with code P98 Black Series: ↓ Replace cross strut (29).	AR33.15-P-0161-01P *220589064300
8	Install in the reverse order		
9	Perform a wheel alignment check		AR40.20-P-0200P

## Wheel location, hub

Number	Designation	Model 203	Model 209
--------	-------------	-----------	-----------

BA33.20-P-1005-01E	Self-locking nut, transverse link to steering knuckle assembly	Stage 1	Nm	50	50
		Stage 2	4°	60	60
BA33.20-P-1006-01E	Self-locking nut for cross strut on front axle carrier	Stage 1	Nm	80	80
		Stage 2	4°	120	120



Press out/in tool