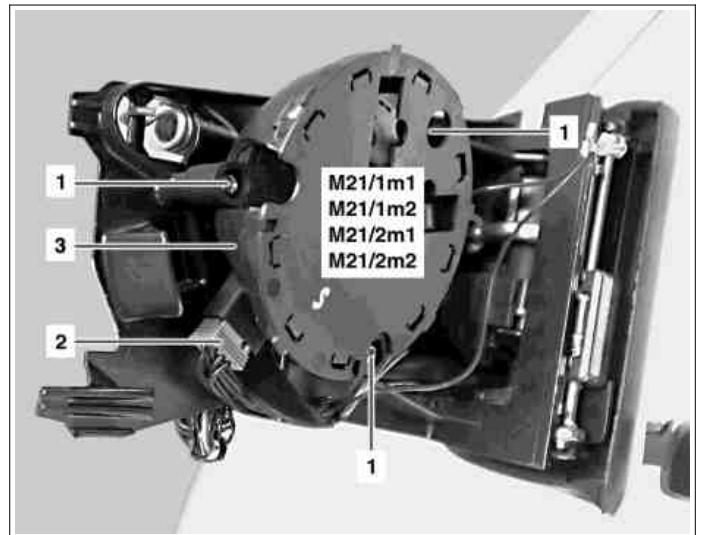


## MODEL 203

## Illustrated on Model 203.0

- 1 Screw  
 2 Electrical connector  
 3 Glass adjustment drive

- M21/1m1 Mirror up/down adjustment motor  
 M21/1m2 Mirror in/out adjustment motor  
 M21/2m1 Mirror up/down adjustment motor  
 M21/2m2 Mirror in/out adjustment motor



P88.70-2063-11

☒ ☒	Remove/install		
1	Remove mirror glass	Model 203.0/2, 203.7## #A, Model 203.7## #E up to 035817 Model 203.7## #E with code (809) model year 2009	AR88.70-P-9020P AR88.70-P-9020CW
2	Remove bolts (1)		
3	Remove drive for glass adjustment (3) and separate electrical connector (2)	<b>i</b> The mirror adjustment up/down motor (M21/1m1) and mirror adjustment in/out motor (M21/1m2) are located in the left glass adjustment drive (3). The mirror adjustment up/down motor (M21/2m1) and mirror adjustment in/out motor (M21/2m2) are located in the right glass adjustment drive (3).	
4	Install in the reverse order		