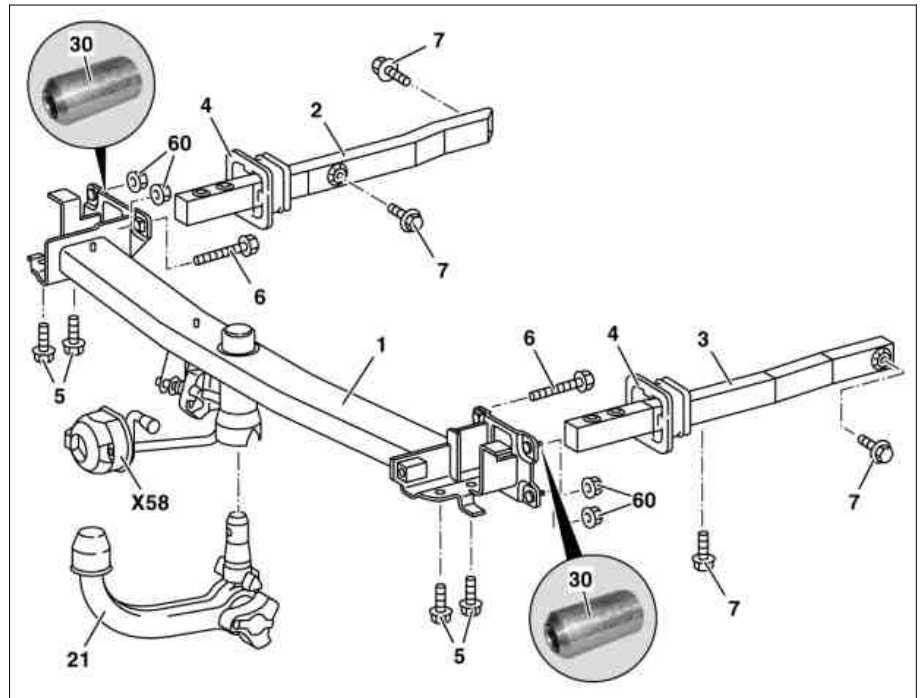


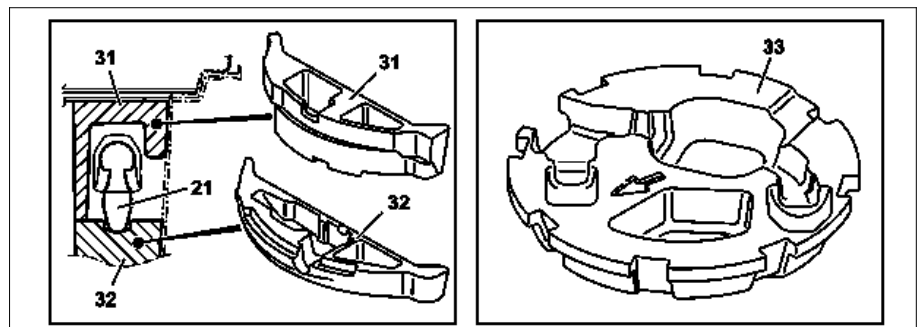
MODEL 209.4## /4## (except 209.476 /477) 1#  
 except CODE (772) AMG styling package - front spoiler, side skirts and rear apron  
 except CODE (950) AMG sport package

- 1 Trailer hitch crossmember
- 2 Longitudinal member reinforcement, left
- 3 Longitudinal member reinforcement, right
- 4 Gasket
- 5 Bolts M12×1.5×35
- 6 Bolt M10×25
- 7 Bolt M10×25
- 21 Ball neck
- 30 Centering drift
- 60 M10 nuts
- X58 Trailer hitch socket (13-pin)



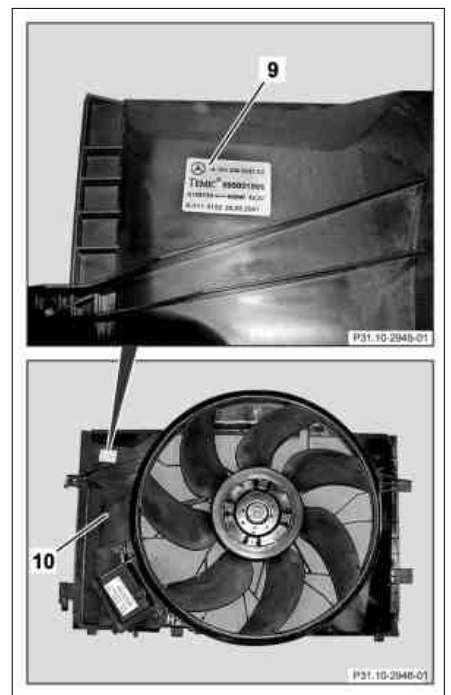
P31.10-2525-06

- 21 Ball neck
- 31 Ball neck holder upper section
- 32 Ball neck holder lower section
- 33 Ball neck holder in spare tire



P31.10-3292-04

- 9 Adhesive label
- 10 Radiator shroud



P31.10-2947-03

	<b>Remove</b>		
<b>Danger!</b>	<b>Risk of explosion</b> caused by oxyhydrogen gas. <b>Risk of poisoning and caustic burns</b> caused by swallowing battery acid. <b>Risk of injury</b> caused by burns to skin and eyes from battery acid or when handling damaged lead-acid batteries	No fire, sparks, open flames or smoking. Wear acid-resistant gloves, clothing and glasses. Only pour battery acid into suitable and appropriately marked containers.	AS54.10-Z-0001-01A
	Notes regarding installation of trailer hitch	Model 209.4 with code (550) Trailer hitch, except code (772) AMG styling package - front spoiler, side skirts and rear apron, except code (950) AMG sport package	AH31.10-P-1000-02QA
	Notes on EU type approval requirements	Applies only to countries within the European Union. Information on obtaining approval for installed trailer hitches at an approved inspection station.	AH31.10-P-1000-03T
1	Disconnect battery ground line		AR54.10-P-0003Q
2	Remove all paneling in trunk		AR68.30-P-4600QA
3	Detach SAM control unit with fuse and relay box in rear and put aside		AR54.21-P-1259QA
4	Remove rear bumper		AR88.20-P-2200Q
5	Remove left underfloor paneling		
6	Remove left cross strut		
7	Remove fender liner from rear fender on right and left		AR88.10-P-1400P
8	Remove rear muffler up to flange connection	Model 209.461/465/475 Model 209.454/456/472 Model 209.441/442 Model 209.420	AR49.10-P-7000PV AR49.10-P-7000QB AR49.10-P-7000QK AR49.10-P-7000PI
9	Remove shroud above rear muffler		
10	Replace electric fan	Check in the EPC if the electric fan installed in accordance with the vehicle equipment can be used for the retrofitting of the trailer hitch (AHV). If necessary, the electric fan must be removed and replaced with one that is compatible with the trailer hitch.	
	<b>Install</b>		
11	Retrofit detachable mechanical body components	   	AN31.11-P-8080-05QA *BA31.11-P-1001-01C *BA31.11-P-1002-01C *BA31.11-P-1003-01C *BA31.11-P-1009-01C
12	Retrofit trailer hitch wiring harness		AN31.19-P-8100-05QA
13	Retrofit bumper cutout		AN31.11-P-8080-08Q
14	Retrofit shield on subframe carrier	Except model 209.441/472	AN31.35-P-0001-01Q
15	Retrofit shield on starter solenoid switch	Model 209.461 with code (423) Automatic 5-speed transmission (NAG), model 209.475	AN31.11-P-8080-07Q
16	Install remaining parts onto vehicle	Operation steps 10 to 1	
17.1	Place ball neck (21) in the ball neck holder in the spare tire (33)	With code (690) Compact spare tire as emergency wheel	
17.2	Insert ball neck (21) in the ball neck holder upper section (31) and ball neck holder lower section (32)	On vehicles with Tirefit	
	<b>Check</b>		
<b>AD</b>	Connect STAR DIAGNOSIS Connect STAR DIAGNOSIS and read out fault memory		AD00.00-P-2000-04A
19	Perform retrofit variant coding	Variant coding for trailer hitch with STAR DIAGNOSIS.	
20	Supplement special equipment on the vehicle data card and in the vehicle data card online	Enter code (550) Trailer hitch.	
<b>AD</b>	Close STAR DIAGNOSIS Connect STAR DIAGNOSIS and read out fault memory		AD00.00-P-2000-04A
22	Conduct operation check of the light activation signal at the 13-pin trailer hitch socket (X58)		AN31.19-P-8100-06Q

**Nm** Trailer hitch mechanical system

Number	Designation		Model 209
BA31.11-P-1001-01C	Nut with spring washer, trailer hitch to rear center assembly	Nm	45
BA31.11-P-1002-01C	Bolt, trailer hitch to longitudinal member reinforcement	Nm	110
BA31.11-P-1003-01C	Bolt, side member reinforcement to frame side member	Nm	45
BA31.11-P-1009-01C	Bolt, trailer hitch to rear center section	Nm	45

**Parts ordering notes**

Part no.	Designation	Quantity
KG99 (see EPC)	Trailer hitch package contents	1