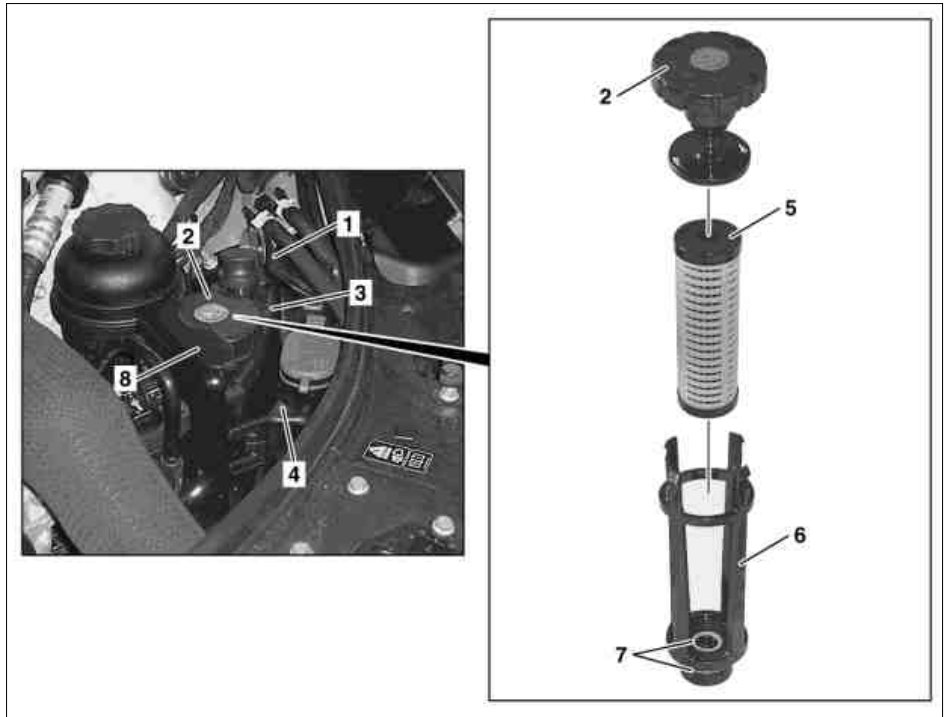


MODEL 215, 216, 220, 221, 230 with CODE (487) Active Body Control (ABC)

- 1 Bolt
- 2 Cover
- 3 ABC expansion reservoir
- 4 Windshield washer system reservoir
- 5 Filter element
- 6 Filter support
- 7 Sealing rings
- 8 Bracket



P32.50-2280-06

☒ ☒	Remove/install		
⚠ Danger!	Risk of injury to skin or eyes caused by hydraulic fluid spraying out under high pressure. Risk of poisoning caused by swallowing hydraulic fluid.	Depressurize the hydraulic system completely before starting any work on the system. Wear protective clothing and safety glasses.	AS00.00-Z-0013-01A
ⓘ	It is essential to ensure the utmost cleanliness throughout the entire procedure as even the smallest dirt particles in the hydraulic components can lead to malfunctions and a total failure of the ABC system.		
ⓘ	Always observe the work procedure; failure to do so will cause damage and thus result in total failure of the ABC system.		
ⓘ	When the work has been completed, cooling of the hydraulic fluid (after the engine is switched off) will cause the body to be lowered.		
1	Pull dipstick out of expansion reservoir (3) and check color of hydraulic fluid	ⓘ If the hydraulic fluid (ATF) is red, the red hydraulic fluid (ATF) must be replaced with green hydraulic fluid (Pentosin) and the ABC system must be flushed out completely. ↓ Flushing active body control (ABC) system	AR32.50-P-0026A
2	Remove bolt (1)		
3	Remove reservoir (4) and expansion reservoir (3) from bracket (8) and set aside	ⓘ Remove the expansion reservoir (3) from the bracket (8) until the cover (2) is accessible.	
4	Remove cover (2) from expansion reservoir (3)		
5	Release filter support (6) from cover (2) by turning and then remove		
6	Remove filter element (5) from filter support (6)		
7	Check sealing rings (7) on filter support (6) and replace if necessary		
8	Insert new filter element (5) into filter support (6)	ⓘ Replace the old 10 µm filter element with a new 3 µm filter element.	

9	Insert filter support (6) into cover (2) and secure by turning		
10	Check hydraulic fluid level in expansion reservoir (3) and correct if necessary Hydraulic fluids (Specification 345.0)		BB00.40-P-0345-00A
11	Screw cover (2) onto expansion reservoir (3) and tighten	i Make sure that the cover is seated correctly on the expansion reservoir.	
12	Close engine hood	w The engine hood and/or the hinges could otherwise be damaged due to movement of the vehicle during the filtering procedure.	
13	Start filtering; to do so, connect STAR DIAGNOSIS, select "Actuate all suspension struts alternately in circular sequence (rodeo)" in Suspension menu and start program	i The program takes approx. 15 min and must then be started again since the hydraulic fluid is only filtered correctly after 30 min. i Owing to the increased volume requirement, there may be brief interruptions during the program run until the pressure has been fully built up again by the tandem pump. This is not a tandem pump fault. STAR DIAGNOSIS diagnosis system	*WH58.30-Z-1048-13A
14	Open engine hood		
15	Remove cover (2) from expansion reservoir (3)		
16	Release filter support (6) from cover (2) by turning and then remove		
17	Remove filter element (5) from filter support (6)		
18	Insert new filter element (5) into filter support (6)	i Replace the fouled filter element with a new filter element.	
19	Insert filter support (6) into cover (2) and secure by turning		
20	Screw cover (2) onto expansion reservoir (3) and tighten	i Make sure that the cover is seated correctly on the expansion reservoir.	
21	Insert reservoir (4) and expansion reservoir (3) into bracket (8)		
22	Screw in bolt (1) and tighten.		
23	Check hydraulic fluid level in expansion reservoir (3) and correct if necessary Hydraulic fluids (Specification 345.0)		BB00.40-P-0345-00A
24	Read out fault memory with STAR DIAGNOSIS and erase if necessary.		

Commercially available tools

Number	Designation	
WH58.30-Z-1048-13A	STAR DIAGNOSIS Compact diagnosis system for passenger cars	6511 1801 00