

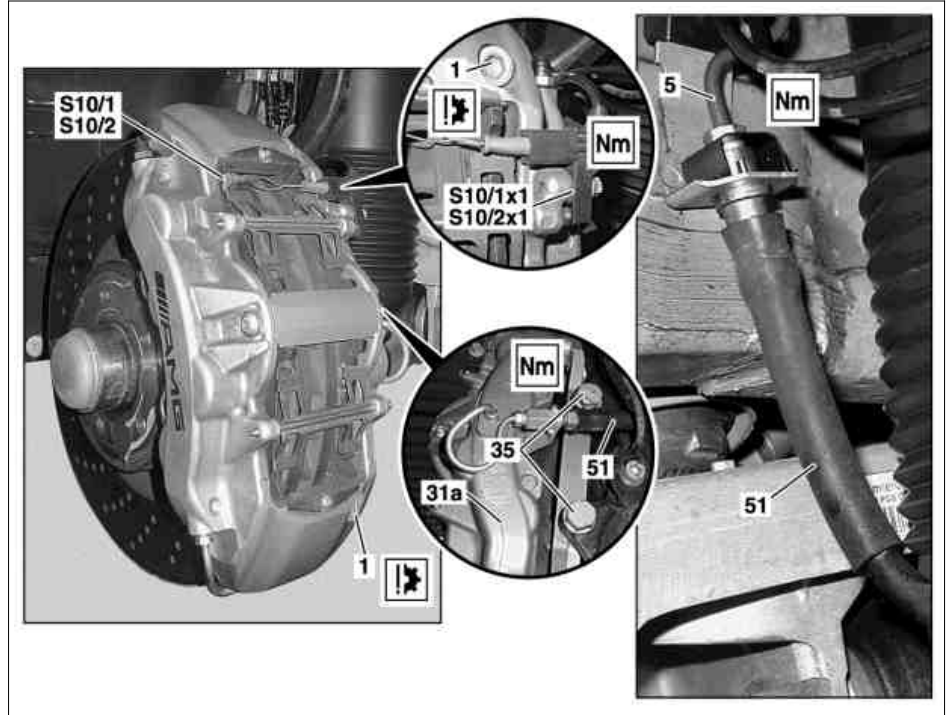
MODEL 230.470 /472 /474 /476 /477 /479

MODEL 211.076 /077 /276 /277

- 1 Bolt, radial screwed connection
- 31a Brake caliper
- 35 Bolts
- 51 Brake hose

S10/1x1 Left front brake pad contact sensor connector

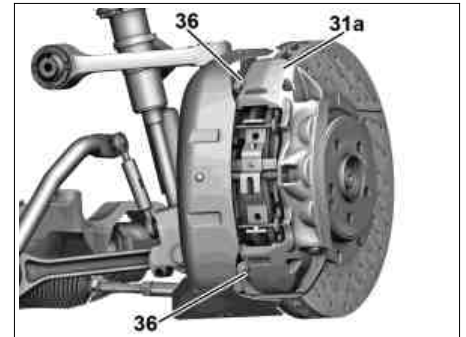
S10/2x1 Right front brake pad contact sensor connector



P42.10-2397-06

Model 230.479 with code (P99) Special model "AMG Black Series"

- 31a Brake caliper
- 36 Nut



P42.10-2746-01

| | | | |
|-------------------------|--|---|--|
| | <p>Remove/install</p> | | |
| <p>⚠ Danger!</p> | <p>Risk of injury caused by body parts being jammed or crushed. Risk of injury to skin and eyes caused by brake fluid spraying out at high pressure when working on the SBC brake system</p> | <p>Deactivate SBC brake system using STAR DIAGNOSIS.</p> | <p>AS42.46-Z-0001-01A</p> |
| <p></p> | <p>Notes on self-locking nuts and bolts</p> | | <p>AH00.00-N-0001-01A</p> |
| <p>1</p> | <p>Deactivate SBC brake system using STAR DIAGNOSIS.</p> | <p>Vehicles with Sensotronic Brake Control (SBC)</p> <p> The following steps should be run through in STAR DIAGNOSIS: Select menu item "SBC Sensotronic Brake Control"/"Deactivate 'SBC' system". Then process all the individual steps from top to bottom.</p> | |
| <p>2</p> | <p>Remove brake hose (51)</p> | <p>Model 211 Model 230</p> | <p>AR42.10-P-0013T AR42.10-P-0013R</p> |
| <p>3</p> | <p>Remove brake pads</p> | | <p>AR42.10-P-1600RA</p> |

| | | | |
|-----|---|--|---|
| 4 | Disconnect left front brake pad contact sensor connector (S10/1x1) or right front brake pad contact sensor connector (S10/2x1) from brake caliper (31a) | <p>i Depending on installation location.</p> <p>Nm Model 211</p> <p>Nm Model 230</p> | <p>*BA42.10-P-1003-10H</p> <p>*BA42.10-P-1003-10B</p> |
| 5.1 | Remove bolts (35) and remove brake caliper (31a) | <p>Model 211, 230 without code (P99) Special model "AMG Black Series"</p> <p>i Under no circumstance loosen bolts (1) of radial bolted connection, otherwise malfunctions of the brake system.</p> <p>Nm Model 211</p> <p>Nm Model 230</p> | <p>*BA42.10-P-1001-10H</p> <p>*BA42.10-P-1001-10B</p> |
| 5.2 | Unscrew nuts (36) and detach brake caliper (31a) | <p>Model 230 with code (P99) Special model "AMG Black Series"</p> <p>Nm</p> | <p>*BA42.10-P-1005-10B</p> |
| 6 | Install in the reverse order | | |
| 7.1 | Bleed brake system with STAR DIAGNOSIS | <p>Vehicles with Sensotronic Brake Control (SBC)</p> <p>i When performing the bleeding operation always observe the instructions in the document "Bleeding brake system using STAR DIAGNOSIS".</p> <p>i The following steps should be run through in STAR DIAGNOSIS: Select menu item "Initial startup after repair"/ "Exchanging brake calipers". Then process all the individual steps from top to bottom.</p> | <p>AR42.10-P-0012R</p> |
| 7.2 | Bleed brake system | Vehicles without Sensotronic Brake Control (SBC) | <p>AR42.10-P-0010T</p> |

Nm Front axle brake caliper

| Number | Designation | | | Model 211 except model 211.076/077/276/277 | Model 211.076/077/276/277 | Model 211.076/077/276/277 | Model 211.076/077/276/277 |
|--------------------|--|-----|---------|--|---------------------------|---------------------------|---------------------------|
| BA42.10-P-1001-10H | Self-locking bolt, brake caliper to steering knuckle | M12 | Nm | 115 | - | | |
| | | M14 | Stage 1 | Nm | 80 | 180 | |
| | | | Stage 2 | ∠° | 45 | - | |
| BA42.10-P-1003-10H | Bolt, brake pad contact sensor to brake caliper | | Nm | 8 | 8 | | |

Nm Front axle brake caliper

| Number | Designation | Model 230.470/472/474/476/477/479 model 230.479 without code P99 model 230.471 without code 494 | Model 230.479 with code P99 |
|--------|-------------|---|-----------------------------|
| | | | |

| | | | | |
|--------------------|--|----|-----|----|
| BA42.10-P-1001-10B | Self-locking bolt, brake caliper to steering knuckle | Nm | 180 | - |
| BA42.10-P-1003-10B | Bolt, brake pad contact sensor to brake caliper | Nm | 8 | 8 |
| BA42.10-P-1005-10B | Nut, brake caliper to steering knuckle | Nm | - | 80 |