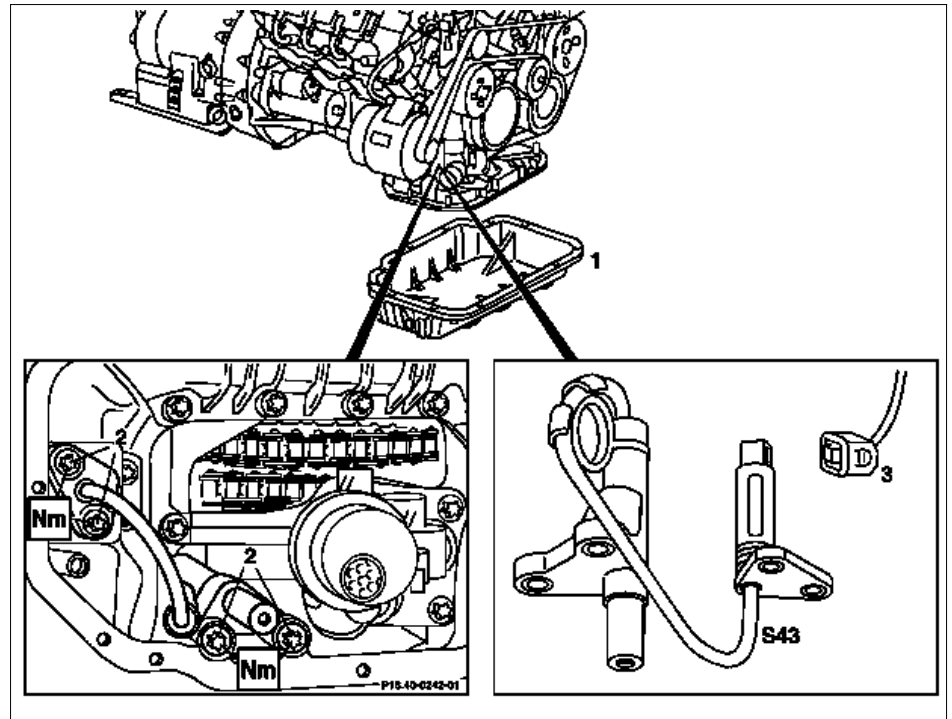


ENGINE 112 (except 112.912 /946 /961)
ENGINE 112
ENGINE 113
ENGINE 113 (except 113.968 /963 /992)

Shown on engine 112

- 1 Oil pan bottom section
- 2 Oil-level sensor screws
- 3 Plug for oil level sensor
- S43 Oil level sensor



P18.40-0241-06

Modification notes

20.12.04	Engine oil filling capacity with oil filter modified.	Engine 113.967	*BF18.00-P-1001-01H
----------	---	----------------	---------------------

		Remove/install	
⚠	Danger!	Risk of death caused by vehicle slipping or toppling off the lifting platform.	Align vehicle between columns of lifting platform and position four support plates at the lifting platform support points specified by vehicle manufacturer.
1	Extract/drain engine oil	Nm Engine oil extractor http://gotis.aftersales.mercedes-benz.com	*BA01.45-P-1003-01B *BF18.00-P-1001-01H
2	Remove lower part of oil pan (1)	Model 129, 170, 202, 208, 210, 220, 463 Model 163.154, 163.172 Model 163.174	AR01.45-P-7555VA AR01.45-P-7555V AR01.45-P-7555VE
3	Unplug connector (3) at oil level sensor		
4	Remove bolts of oil level sensor (2)	Nm	*BA18.40-P-1002-01B
5	Remove oil level switch (S43)		
6	Install in the reverse order		

Oil pan

Number	Designation	Engine	Engine	
		112.910/911/ 912/913/914/ 915/917/920/ 921/922/923/ 940/941/942/ 943/944/945/ 946/947/949/ 951/954/955/ 960/961/970/ 972/973/976	112.916/953/975, 113.948/966	
BA01.45-P-1003-01B	Oil drain screw on oil pan	M14	Nm 30	30

Nm Oil pan

Number	Designation	Engine	Engine	Engine
		113.940/941/ 942/943/944/ 945/946/960/ 961/962/963/ 965/967/968/ 969/980/981/ 982/984/986/ 992/995	113.987/ 988/991	113.990
BA01.45-P-1003-01B	Oil drain screw on oil pan	M14	Nm 30	30 30

Nm Oil level/oil pressure sensor

Number	Designation	Engine	Engine
		113.940/941/ 942/943/944/ 945/946/960/ 961/962/963/ 965/967/968/ 969/980/981/ 982/984/986/ 992/995	112 except 112.916/951/953/ 975
BA18.40-P-1002-01B	Oil level sensor on oil pan top part	Nm	10 10

Nm Oil level/oil pressure sensor

Number	Designation	Engine	Engine
		113.987/ 988/990	113.991/ 993

BA18.40-P-1002-01B	Oil level sensor on oil pan top part	Nm	10	9
--------------------	--------------------------------------	----	----	---

Engine lubrication

Number	Designation	Engine 112 except 112.916/953/975	Engine 112.916/953	Engine 112.975		
BF18.00-P-1001-01H	Engine oil	Filling capacity with oil filter	Liters	8.0	7.5	8.0
		Filling capacity without oil filter	Liters	7.5	7.0	7.5
		Specifications for Operating Fluids	Sheet	BB00.40-P-0229-01 A	BB00.40-P-0229-01 A	BB00.40-P-0229-01 A
			Sheet	BB00.40-P-0229-03 A	BB00.40-P-0229-03 A	BB00.40-P-0229-03 A
			Sheet	BB00.40-P-0229-05 A	BB00.40-P-0229-05 A	BB00.40-P-0229-05 A

Engine lubrication

Number	Designation	Engine 113.948/966	Engine 113.940/941/942/943/960/961/962/969/982	Engine 113.944/980/981/984/986/991		
BF18.00-P-1001-01H	Engine oil	Filling capacity with oil filter	Liters	8.0	8.0	7.5
		Filling capacity without oil filter	Liters	7.5	-	-
		Specifications for Operating Fluids	Sheet	BB00.40-P-0229-01 A	BB00.40-P-0229-01 A	-
			Sheet	BB00.40-P-0229-03 A	BB00.40-P-0229-03 A	-
			Sheet	BB00.40-P-0229-05 A	BB00.40-P-0229-05 A	BB00.40-P-0229-05 A

Engine lubrication

Number	Designation	Engine 113.963/965/968	Engine 113.967	Engine 113.987/988/990/992/993/995

BF18.00-P-1001-01H	Engine oil	Filling capacity with oil filter	Liters	7.5	7.5	8.5
		Filling capacity without oil filter	Liters	7.0	-	8.0
	Specifications for Operating Fluids	Sheet	BB00.40-P-0229-01 A	BB00.40-P-0229-01 A	-	
		Sheet	BB00.40-P-0229-03 A	BB00.40-P-0229-03 A	-	
		Sheet	BB00.40-P-0229-05 A	BB00.40-P-0229-05 A	BB00.40-P-0229-05 A	