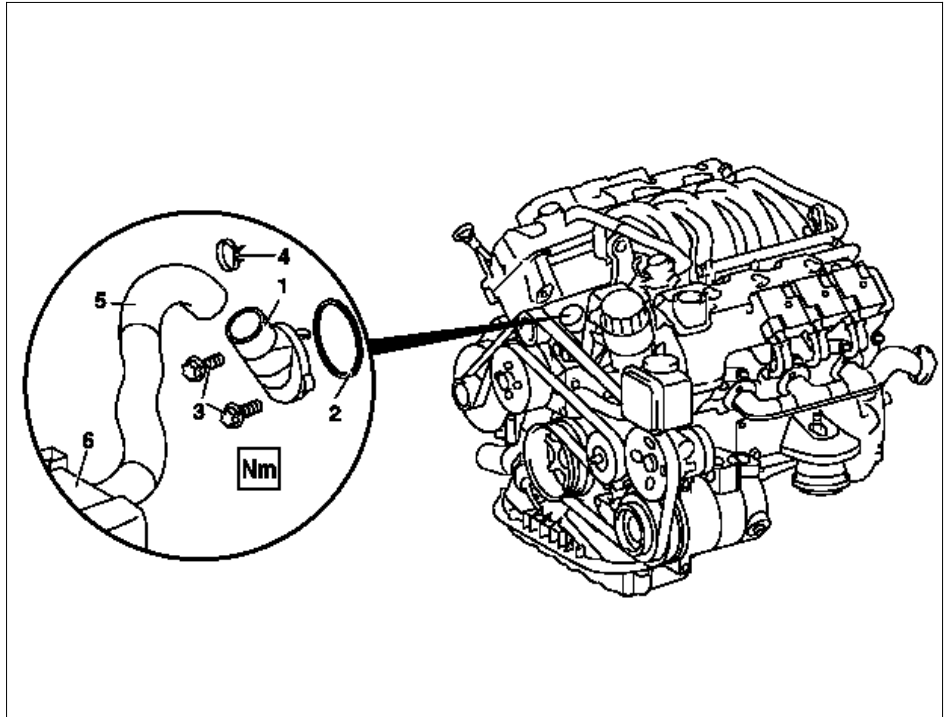


ENGINE 112 in MODEL 129, 163, 202, 208, 209.361 /365 /461 /465, 210, 211.061 /261 /065 /265, 220
ENGINE 112.945 in MODEL 463.209 /232 /233 /244 /245 /250
ENGINE 113 in MODEL 129, 163, 202, 203, 208, 209, 210, 211.070 /270, 220, 230.475
ENGINE 113.962 in MODEL 463.206 /240 /241 /247 /248 /249 /254
ENGINE 113.982 in MODEL 463.243 /246
ENGINE 113.989 in MODEL 171.473

Shown on engine 112

- 1 Coolant thermostat housing
- 2 Sealing ring
- 3 Bolts
- 4 Hose clamp
- 5 Coolant hose
- 6 Radiator



P20.10-0243-06

Modification notes

1.9.04	Value changed from 10 Nm to 14 Nm	Value in row 1003 changed for engine 112.910/911/912/913/914/915/916/917/920/921/922/923/940/941/942/943/944/945/946/947/949/953/954/955/960/961/970/972/973/975	*BA20.10-P-1003-01M
--------	-----------------------------------	--	---------------------

	Remove/install		
⚠ Danger!	<p>Risk of injury caused by fingers being pinched or crushed when removing, installing or aligning hoods, doors, trunk lids, tailgates or sliding roof.</p> <p>Open engine hood</p>	Keep body parts and limbs well clear of moving parts.	AS00.00-Z-0011-01A
1			
⚠ Danger!	<p>Risk of injury to skin and eyes caused by scalding from contact with hot coolant spray.</p> <p>Risk of poisoning caused by swallowing coolant.</p> <p>Drain coolant at radiator (6)</p>	<p>Do not open cooling system unless coolant temperature is below 90°C. Open cap slowly and release the pressure. Do not pour coolant into beverage containers.</p> <p>Wear protective gloves, protective clothing and safety glasses.</p> <p>i Model 163: For draining coolant, detach bottom coolant line at radiator or at coolant pump.</p> <p>⚠ Installation: On model 163 replace radiator connection of hose clamps to coolant hose, otherwise this can cause a damage to the bolt/thread.</p> <p>Nm Model 163</p>	AS20.00-Z-0001-01A
2			*BA20.20-P-1004-01A

		<p>i Collect coolant</p> <p>i Disposal of coolants: observe legal regulations or local wastewater requirements! Refer to Environmental Protection Catalog issued by MBVD/PWU for locations in Germany.</p> <p>Engine 112 in model 220, 208, 211, 163, 210, 129, 202</p> <p>Engine 113 in model 211, 163, 208, 202, 210, 220, 129</p> <p>Engine 113.962 in Model 463.240 /241 /248 /254 /206 /247 /249</p> <p>Engine 112.945 in model 463.233 /244 /209 /232 /245 /250</p> <p>Engine 113.982 in model 463.246 /243</p> <p>Engine 113.963 in model 230.475</p> <p>Engine 112.912 in model 209.361 /461</p> <p>Engine 112.955 in model 209.365 /465</p> <p>Engine 113.968 in model 209.375 /475</p> <p>Engine 113.987 in MODEL 209.376/ 476</p> <p>Engine 113.988 in model 203.076/ 276</p> <p>Engine 113.989 in model 171.473</p>	<p>AR20.00-P-1142HA</p> <p>AR20.00-P-1142RVK</p> <p>AR20.00-P-1142PV</p> <p>AH20.00-N-2080-01A</p>
!	Notes on coolant		
3	Unclip cover on front side of engine	Model 211, 220	
4	Remove engine cover with integrated air filter	<p>Except model 211, 230</p> <p>Model 171.473</p> <p>Model 203.076/ 276</p> <p>Model 209.376/ 476 as of 24.4.04</p> <p>i For model 463, 220, 210.074 /274, 208.370 /374 /470, 209.361 /365 /375 /376 /461 /465 /475 /476, 202.033 /093, 129, the air filter is integrated in the engine cover. Remove engine cover or air filter by pulling it vertically up and off the cylinder head covers.</p>	AR09.10-P-1150AC
5	Detach coolant hose (5)	i Inspect condition of coolant hose (5) and hose clamp (4), replace if necessary.	
6	Remove poly-V belt from guide pulley	Model 171.473 with engine 113.989	AR13.22-P-1202PV
7	Unscrew bolts (3), remove coolant thermostat housing (1) with coolant thermostat	<p>! The coolant thermostat must not be removed from the housing. Otherwise it will be destroyed. Re-installation is not possible. The housing is supplied together with the coolant thermostat for repair purposes.</p> <p>i Installation: Install new sealing ring (2).</p> <p>Nm Engine 112</p> <p>Nm Engine 113 except 113.987 /988 /989 /991</p> <p>Nm Engine 113.987 /988 /989 /991</p>	<p>*BA20.10-P-1003-01M</p> <p>*BA20.10-P-1003-01C</p> <p>*BA20.10-P-1003-01L</p>
8	Install in the reverse order		
9	Inspect cooling system for leaks	<p>Model 129, 163, 202, 208, 210, 211, 463</p> <p>Model 220 except 220.074 /174</p> <p>Model 171.473</p> <p>Model 203.076/ 276</p> <p>Model 209 with engine 112, 113</p> <p>Model 220.074/ 174</p> <p>Model 230.475</p>	<p>AR20.00-P-1010HA</p> <p>AR20.00-P-1010P</p> <p>AR20.00-P-1010RVK</p>

Nm Radiator, coolant hoses

Number	Designation	Engine
		<p>112.942/</p> <p>970,</p> <p>113.942/</p> <p>965/981</p>
BA20.20-P-1004-01A	Hose clamp	Nm 3

Nm Coolant pump, coolant thermostat

Number	Designation	Engine 113.940/941/ 942/943/944/ 945/946/948/ 960/961/962/ 963/965/966/ 967/968/969/ 980/981/982/ 984/986/992 993/995
BA20.10-P-1003-01C	Bolt for coolant thermostat housing	M6 Nm 10

Nm Coolant pump, coolant thermostat

Number	Designation	Engine 112.910/911/912/ 913/914/915/ 916/917/920/ 921/922/923/ 940/941/942/ 943/944/945/ 946/947/949/ 953/954/955/ 960/961/970/ 972/973/975
BA20.10-P-1003-01M	Bolt for coolant thermostat housing	M6 Nm 14

Nm Coolant pump, coolant thermostat

Number	Designation	Engine 113.987/988/ 990/991	Engine 113.989
BA20.10-P-1003-01L	Bolt for coolant thermostat housing	M6 Nm 14	14