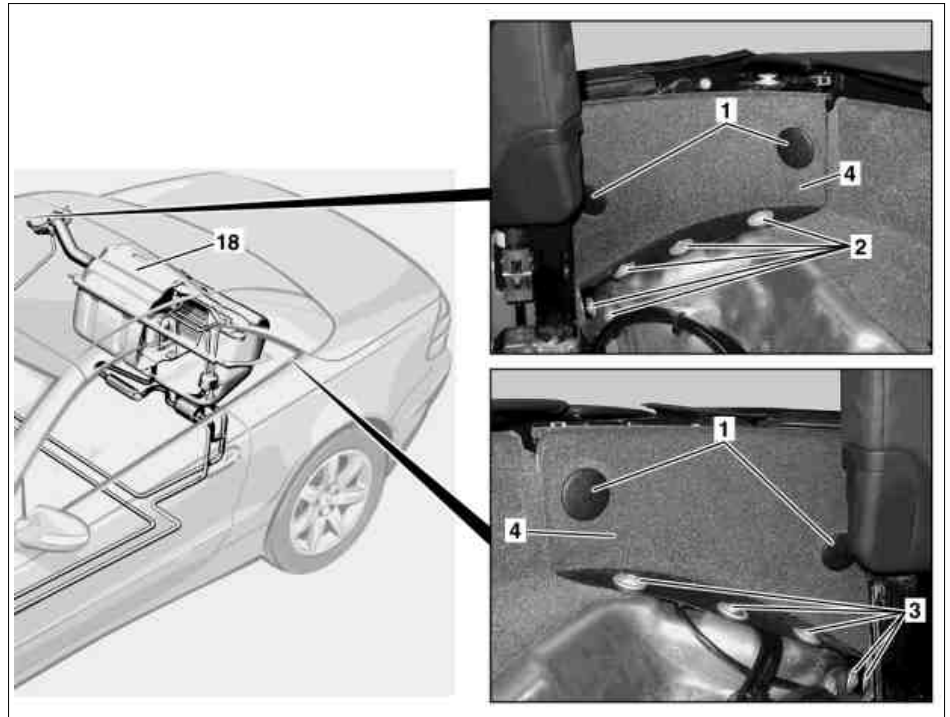


MODEL 230 except CODE (P99) Special model "AMG Black Series"

Illustrated on model 230.475

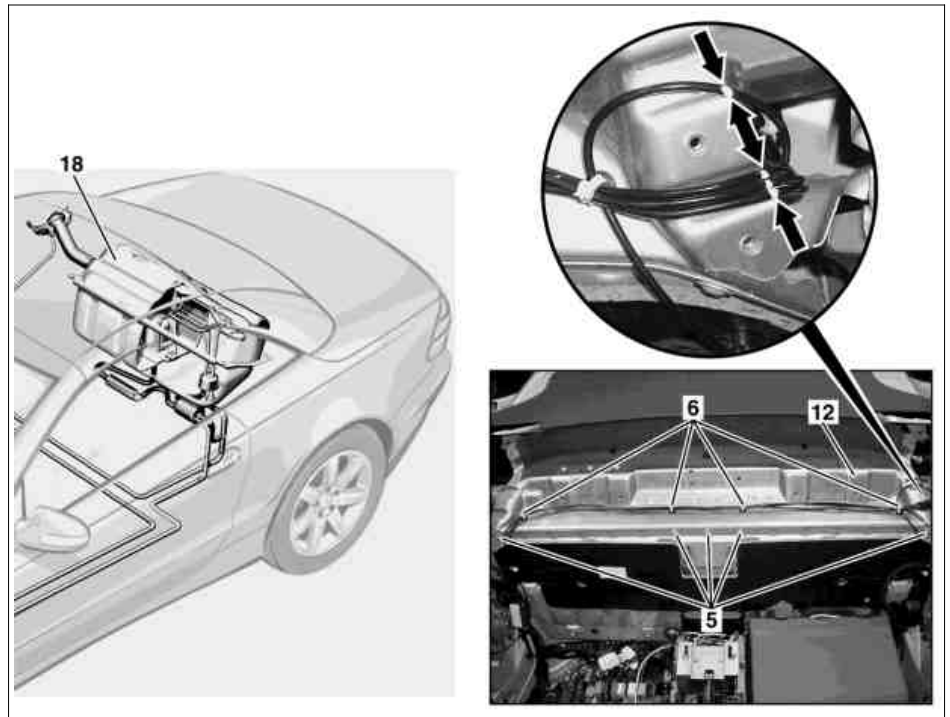
- 1 Caps
- 2 Right connection piece bolts for fuel tank cover
- 3 Left connection piece bolts for fuel tank cover
- 4 LH and RH connection piece for fuel tank cover
- 18 Fuel tank



P47.10-2099-06

Illustrated on model 230.475

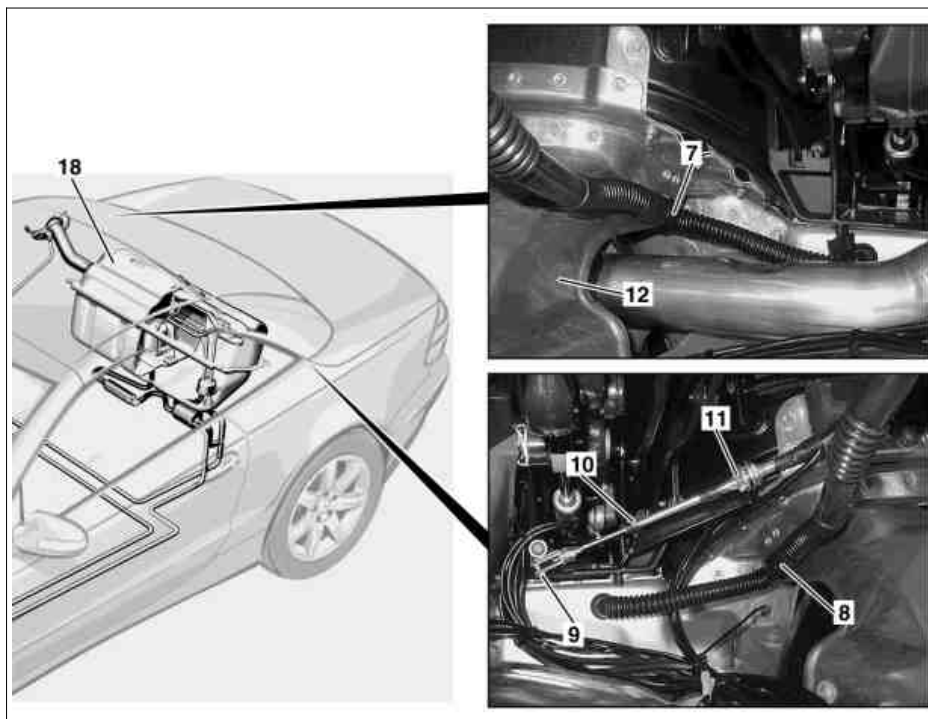
- 5 Bolts
- 6 Cable ties of hydraulic lines
- 12 Fuel tank cover
- 18 Fuel tank



P47.10-2100-06

Illustrated on model 230.475

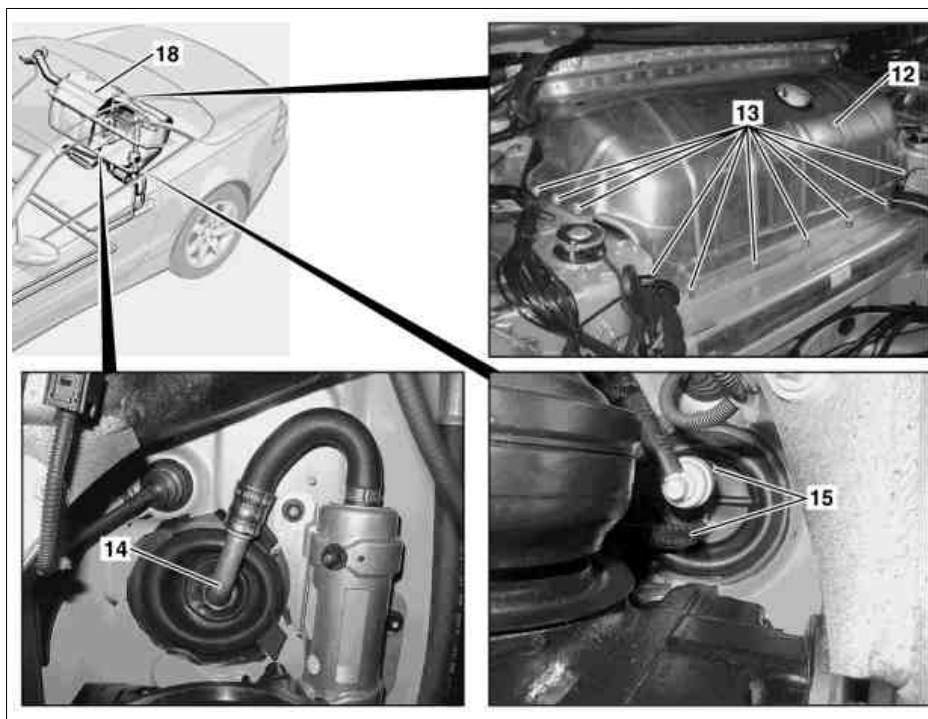
- 7 *Right drain hose*
- 8 *Left drain hose*
- 9 *Safety bolt*
- 10 *Rear shelf Bowden cable*
- 11 *Nut*
- 12 *Fuel tank cover*
- 18 *Fuel tank*



P47.10-2104-06

Illustrated on model 230.475

- 12 *Fuel tank cover*
- 13 *Bolts*
- 14 *Fuel intake hose with connection fitting*
- 15 *Fuel return flow connections*
- 18 *Fuel tank*



P47.10-2101-06

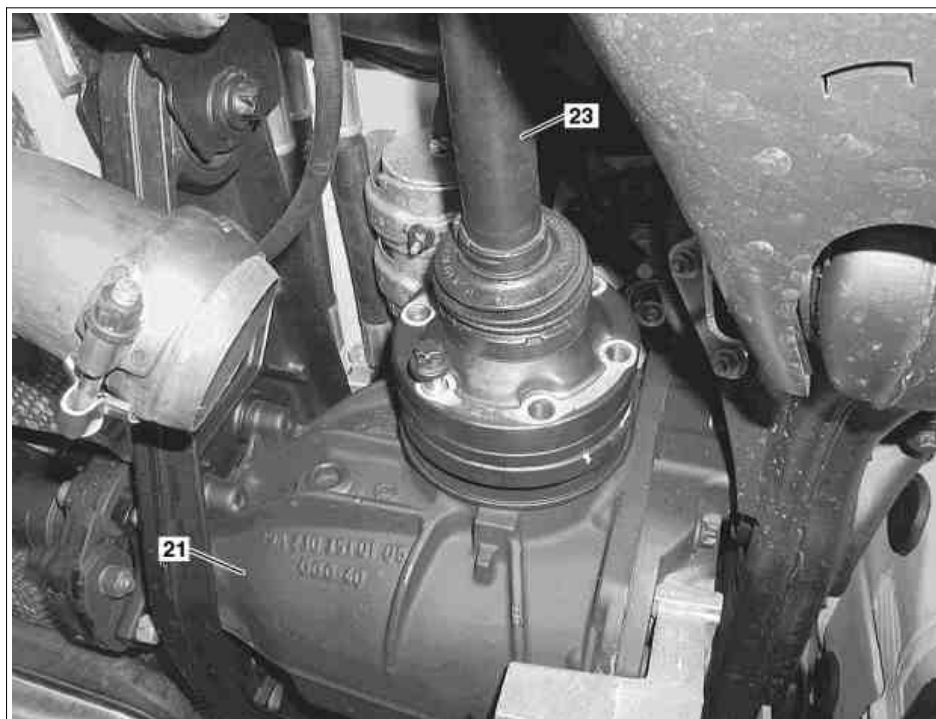


P47.10-2102-08

Illustrated on model 230.475

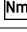
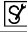

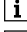
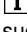

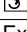
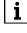

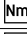

- 16 Bolts on right of fuel tank
- 21 Rear axle center assembly
- 23 Left rear axle shaft



- 17 Bolts on left of fuel tank
- 18 Fuel tank



P35.30-2082-06

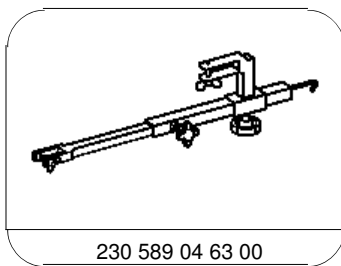
| ☒ ☒ | Remove/install | | |
|------------------|--|--|------------------------------------|
| ⚠ Danger! | Risk of death caused by vehicle slipping or toppling off of the lifting platform. | Align vehicle between columns of vehicle lift and position four support plates at vehicle lift support points specified by vehicle manufacturer. | AS00.00-Z-0010-01A |
| ⚠ Danger! | Risk of explosion caused by fuel igniting, risk of poisoning caused by inhaling and swallowing fuel and risk of injury to eyes and skin caused by contact with fuel | No fire, sparks, open flames or smoking. Pour fuels only into suitable and appropriately marked containers. Wear protective clothing when handling fuel. | AS47.00-Z-0001-01A |
| 1 | Drain fuel tank (18) | | AR47.10-P-4001R |
| 2 | Set both seats into their foremost position | | |
| 3 | Remove separating roller blind in luggage compartment | Model 230.4 up to 28.02.06 Model 230.4 as of 01.03.06 | AR68.50-P-3000R |

| | | | |
|--|--|---|--------------------------------------|
| 4 | Remove panel from spare wheel | | |
| 5 | Remove side paneling in trunk | | AR68.30-P-4800R |
| 6 | Remove middle paneling in trunk | | AR68.30-P-4810R |
| 7 | Remove trim on rear center section | | AR68.30-P-4785R |
| 8 | Open Vario roof | | |
| 9 | Remove trim on left and right center column | | AR68.30-P-1077R |
| 10 | Remove left and right rear side paneling | | AR68.30-P-4780R |
| 11 | Remove rear wall paneling | | AR68.30-P-4750R |
| 12 | Remove loudspeaker cover at rear | | AR68.30-P-3445R |
| 13 | Remove interior paneling from rollover bar | | AR68.30-P-1380R |
| 14 | Remove mounting bracket for safety strap for securing luggage and loads | | AR91.40-P-1143R |
| 15 | Remove caps (1) and bolts for right connection piece for tank cover (2) as well as bolts for left connection piece for fuel tank cover (3) |  9 screws each. | |
| 16 | Remove left and tight connection piece for fuel tank cover (4) | | |
| 17 | Remove bolts (5) and open cable ties of hydraulic lines (6) |  Do not damage hydraulic lines otherwise the function of the Vario roof will no longer be available.  Mark installation position of hydraulic lines (see arrows).  | *BA47.10-P-1006-01E |
| 18 | Moving Vario roof into intermediate position and securing |  | AR77.50-P-3000-01R *230589046300 |
| 19 | Switch off ignition | | |
| 20 | Unclip RH and LH drain hose (7, 8) from fuel tank cover (12) |  Do not damage drain hoses (7, 8). | |
| 21 | Mark rear shelf Bowden cable (10) setting | | |
| 22 | Remove locking pin (9) and detach rear shelf Bowden cable (10) |  To release rear shelf Bowden cable (10) swing folding part of rear shelf downwards slightly. | |
| 23 | Loosen nut (11) and lay rear shelf Bowden cable (10) to one side | | |
| 24 | Remove bolts (13) and fuel tank cover (12) |  13 bolts.  Installation: Install fuel tank cover (12) in such a way that the rear shelf cannot swing (rear shelf must be slightly pre-compressed).  | *BA47.10-P-1006-01E |
| 25 | Fold insulating mat forward | | |
| 26.1 | Remove rear muffler | Model 230.470/ 472/ 474 | AR49.10-P-4951RA |
| 26.2 | Remove complete exhaust system | Model 230.476/ 477/ 479 | AR49.10-P-7000RB |
| 27 | Remove fuel filter Replace fuel filter | Model 230.472 /474 /476 /477 /479 | AP47.20-P-0780DC |
|  28 | Remove left rear axle shaft (23) from rear axle differential (21) and lay to the front | Model 230.472 /474 Rear axle shaft plugged in Rear axle shaft bolted on. | AR35.30-P-0620R AR35.30-P-0620RM |
| 29 | Remove fuel pump control unit | Model 230.476/ 477 Model 230.470 / 479 | AR47.20-P-5717RA AR47.20-P-5717RM |
| 30 | Detach fuel suction hose together with connection fitting (14) |  Do not damage fuel suction hose with connection fitting (14).   | *BA47.10-P-1002-01E *000589710300 |
| 31.1 | Detach fuel return flow (15) connections | Except model 230.472 /474  Installation: Replace hose clamps. Clamping pliers | |
| 31.2 | Detach connections at fuel return flow (15) and connections at fuel pressure regulator | Model 230.472 /474 See "Remove/install pressure regulator". | AR47.20-P-5716R |
| 32 | Remove right and left bolts and on fuel tank (16, 17) and remove fuel tank (18) |  Installation: Ensure correct assembly of filler neck.  | *BA47.10-P-1005-01E |
| 33 | Dispose of fuel tank (18) |  When replacing the fuel tank (18). | |

| | | | |
|---|---|--|--------------------|
|  OS | Disposing fuel tanks | | OS47.10-P-0001-01A |
| 34 | Install in the reverse order | | |
|  Danger! | Risk of accident due to vehicle starting off when engine is running Risk of injury caused by contusions and burns during starting procedure or when working near the engine as it is running | Secure vehicle to prevent it from moving by itself. Wear closed and snug-fitting work clothes. Do not touch hot or rotating parts. | AS00.00-Z-0005-01A |
| 35 | Conduct engine test run and check engine for leaks whilst it is running | | |

 **Fuel tank**

| Number | Designation | | Model 230 |
|--------------------|--|----|-----------|
| BA47.10-P-1002-01E | Fuel hose with connection fitting on fuel strainer | Nm | 35 |
| BA47.10-P-1005-01E | Bolt for attachment of fuel tank | Nm | 21 |
| BA47.10-P-1006-01E | Bolt for fuel tank cover | Nm | 10 |



Support



Box wrench bit