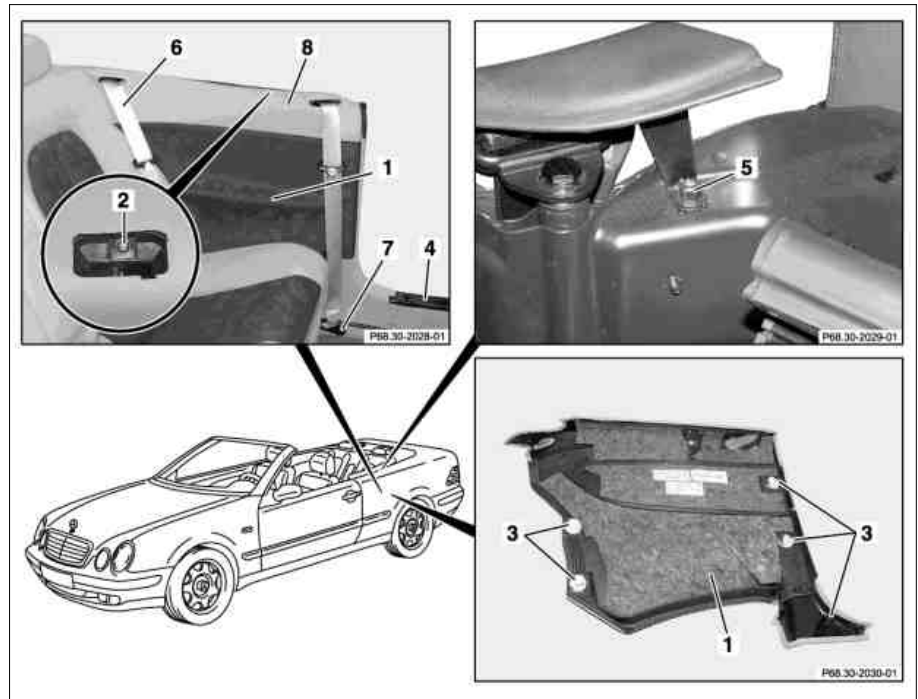


MODEL 208.435 /444 /445 /447 /448 /465 /470

- 1 Paneling
- 2 Screw
- 3 Clips
- 4 Door sill molding
- 5 Collarnut
- 6 Rear seat belt
- 7 Screw
- 8 Cover



P68.30-2027-06

	Removing, installing		
1	Open soft top		Lay soft top down in soft top compartment, do not close soft top compartment cover
2	Remove rear seat and rear backrest		AR91.12-P-1700KA
3	Remove door sill molding (4)		
4	Unscrew screws from belt end fitting for rear seat belt (6)		*BA91.40-P-1001-01A
5	Unscrew screw (7) from bottom sliding rail for seat belt		*BA91.40-P-1001-01A
6	Unscrew screw (2)		For this purpose unclip cover (8) from rear paneling
7	Unscrew collar nut (5)		
8	Unclip paneling (1) in area of B-pillar		Three clips are located in the area of the B-pillar.
9	Pull paneling (1) out of window shaft seal and from welding bolt in area of rear seat backrest		Installation: Check mounting clips (3), replace if necessary
10	Pull belts out of paneling (1)		Installation: Ensure that seat belts are installed properly
11	Install in the reverse order		

Seat belts/emergency tensioning retractors

Number	Designation		Model 202, 208.3	Model 208.4
BA91.40-P-1001-01A	Belt end fitting screw	Nm	35	35